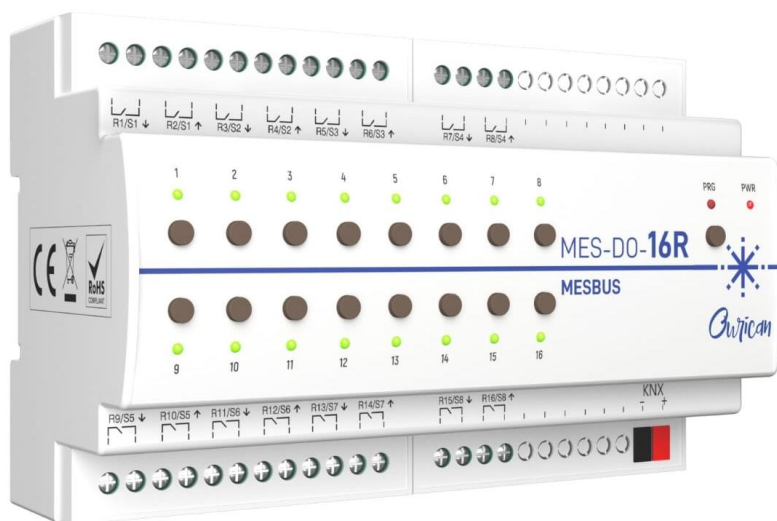


16 Channel Multifunction Actuator – Technical Documentation

MES-DO-16R



Features:

- 16 Individual outputs / 8 Shutter Channels / 4 Fan channels
- Manual output operation with push button and LED status indicator
- 10 Scene functionality
- Logic Functions included
- Din rail mount assembly
- Dimension: 142.3 (L) X 90.5 (H) X 62 (D) mm [8 DIN Units]
- Total data saving on bus failure
- Possibility of connecting different phases in different outputs
- Programming button
- CE Mark*

General Product Specifications

Type of Device		Electric control operation device		
Bus Supply	Voltage (typical)	29VDC SELV		
	Voltage Range	21-31 VDC		
	Maximum Consumption	Voltage 29VDC (typical)	mA 20	mW 580
	Bus Connection	Typical Bus Connector TP1, 0.8mm ² section		
External supply	No			
Operating temperature	0 – 70 °C			
Storage Temperature	-25 to + 75°C			
Ambient Humidity	5 to 95% RH (No Condensation)			
Storage Humidity	5 to 95% RH (No Condensation)			
Manual Test facility	16 Push buttons for switching/shutter/Fan			
Usage	Indoor, to be mounted inside distribution boxes or electrical panels with DIN rail			
IP Class	IP 20			
Power Failure Response	Data saving			
Response when starting	Data recovering and other settings			
Operation Indication	1 Red LED for indicating Power status 1 Red LED for indicating programming mode 16 Green LEDs for indicating current output state			
Dimension	142.3 (L) X 90.5 (H) X 62 (D) mm [8 DIN Units]			

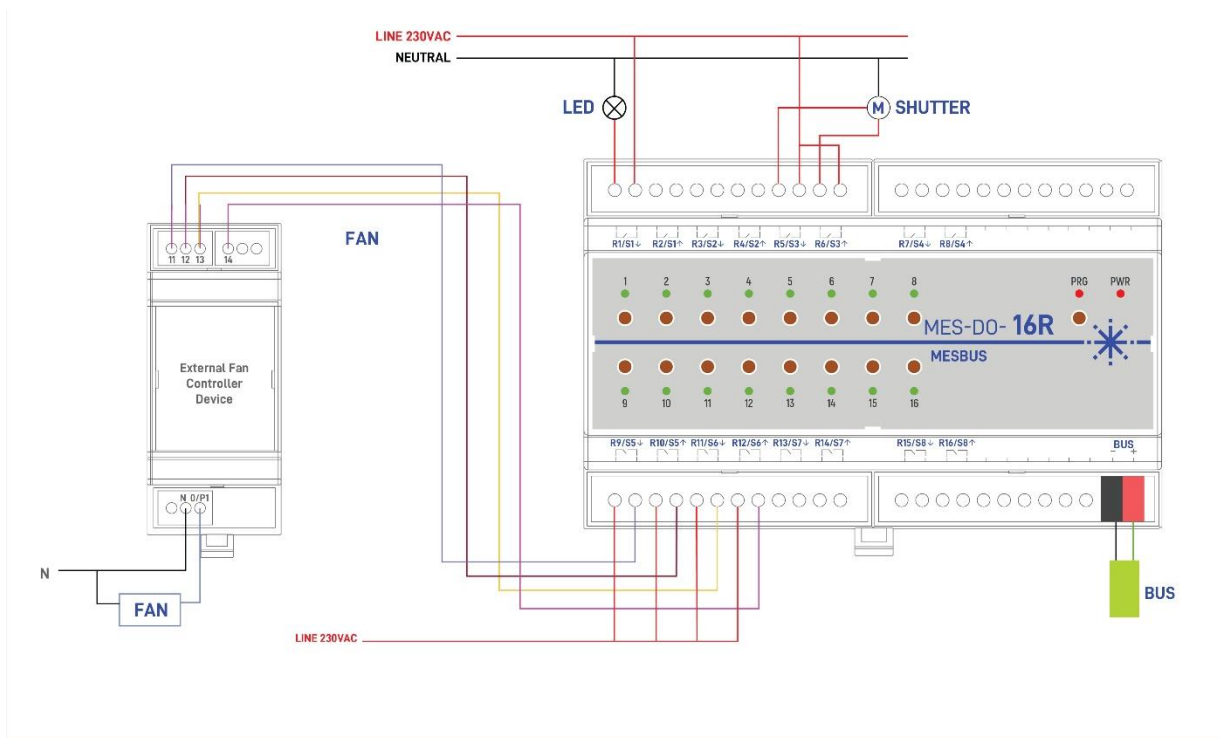
Messung Systems Pvt. Ltd.

501 Lunkad Sky Vista, Viman Nagar, Pune 411 014, India.

T: +91 20 6649 2800 | e: info@messung.com | w: www.messung.com

Output Specifications		
No. of Outputs	16 individual Outputs/8 shutter channels/4 Fan channels	
Control of each channel	ON/OFF – Switching, Move/Stop – Shutter, Speed change - Fan	
Output Type	Relay based control device	
Contact type	Potential free outputs through relays	
Rated current by output	16A*277AC (4432VA)	
Maximum Inrush current	100A/2.5ms (Resistive Load)	
	200A/1.25ms (Ballast Load)	
Maximum Current	16A	
Outputs per common	1 output (Switching) 2 outputs (shutter) 4 outputs (Fan)	
Different phases connection	Possibility to connect different phases in adjoining outputs for switching application.	
Connection Type	Screw Terminal Block	
Recommended cable selection	0.5mm ² to 4mm ² (20-12AWG)	
Cable Type	Stranded or Solid wire.	
Expected Life	Mechanical	10 ⁶ operations
	Electrical	2 x 10 ⁴ cycles

Wiring Example: LED, Shutter and Fan



⚠ SAFETY INSTRUCTIONS

- Installation should only be performed by qualified professionals according to the laws and regulations.
- Do not connect the mains voltage nor any other external voltage to any point of the bus connector; it would represent a risk for the entire system. The facility must have enough insulation between the mains (or auxiliary) voltage and the bus or the wires of other accessories, in case of being installed.
- Once the device is installed (in the panel or box), it must not be accessible from outside.
- Keep the device away from water and do not cover it with clothes, paper or any other material while in use.



Messung Systems Pvt. Ltd.

501 Lunkad Sky Vista, Viman Nagar, Pune 411 014, India.
 T: +91 20 6649 2800 | e: info@messung.com | w: www.messung.com