

8 Channel Multifunction Actuator – Mesbus Technical Documentation

MES-DO-8R



Features:

- 8 Individual outputs / 4 Shutter Channels
- Manual output operation with push button and LED status indicator
- 10 scene functionalities
- Logical functions included
- Total data saving on bus failure
- Possibility of connecting different phases in different outputs
- Programming button with LED indication
- Din rail mount assembly
- Dimension : 71.3 (L) X 90.5 (H) X 62 (D) mm [4 Din Units]
- CE Marking*

General Product Specifications

General Product Specifications			
Type of Device		Electric operation control device	
MESBUS Supply	Voltage (typical)		29VDC SELV
	Voltage Range		21-31 VDC
	Maximum Consumption	Voltage	mA
		29VDC (typical)	10
Bus Connection		Typical Bus Connector TP1, 0.8 mm ² section	
External supply		No	
Operating Temperature		0 - 70 °C	
Storage Temperature		-25 to +75 °C	
Ambient Humidity		5 to 95% RH (No Condensation)	
Storage Humidity		5 to 95% RH (No Condensation)	
Manual Test facility		8 Push button switches – On/Off or Up/Down	
Usage		Indoor, to be mounted inside distribution boxes or electrical panels with DIN rail	
IP Class		IP 20	
Power Failure Response		Data saving	
Response when starting		Data recovery and other settings	
Operation Indication		1 Power LED indicates whether product is ON/OFF (Red) 1 Programming LED indicates programming mode (Red)	

Messung Systems Pvt. Ltd.

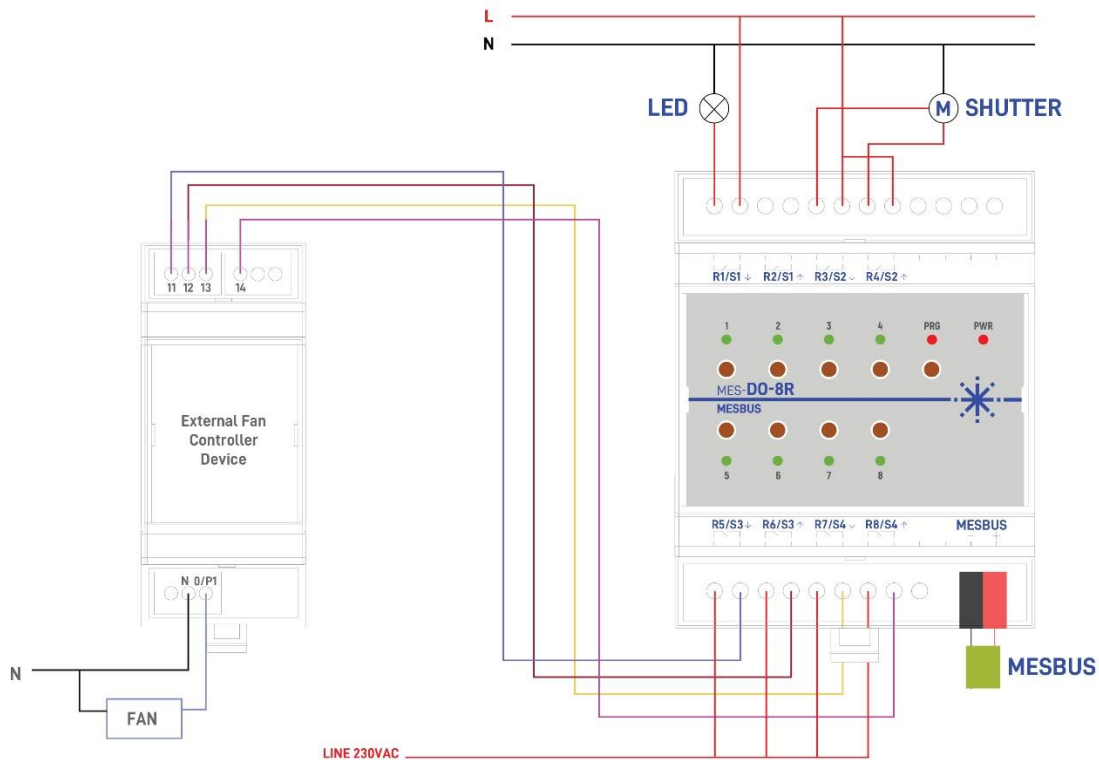
501 Lunkad Sky Vista, Viman Nagar, Pune 411 014, India.

T: +91 20 6649 2800 | e: info@messung.com | w: www.messung.com

	8 Output status LED indicators reflect current output state (Green)
No. of Individual Outputs	8
No. of Shutter channels	4
Manual Test facility	Yes 8 push buttons are provided for switching / shutter

Output Specifications		
Output Type	Relay based control device	
Output Relay rating	16A/277VAC	
Max. Switching Power (Resistive Load)	16A*277VAC (4,432VA)	
Maximum Inrush current	100 A/2.5ms (Resistive load) 200A/1.25ms (Ballast Load)	
Outputs per common	1 output (switching) 2 outputs (shutter)	
Different phases connection	Possibility to connect different phases in adjoining outputs.	
Maximum current	16A	
Connection Type	Screw Terminal Block	
Recommended cable selection	0.5 mm ² to 4 mm ² (20-12 AWG)	
Cable Type	Stranded or Solid wire	
Expected Life	Mechanical	10 ⁶ operations
	Electrical	2 x 10 ⁴ cycles

Wiring Example: LED, Shutter and EX-CFC-1



SAFETY INSTRUCTIONS

- Installation should only be performed by qualified professionals according to the laws and regulations.
- Do not connect the mains voltage nor any other external voltage to any point of the Mesbus connector; it would represent a risk for the entire system. The facility must have enough insulation between the mains (or auxiliary) voltage and the Mesbus or the wires of other accessories, in case of being installed.
- Once the device is installed (in the panel or box), it must not be accessible from outside.
- Keep the device away from water and do not cover it with clothes, paper or any other material while in use.



Messung Systems Pvt. Ltd.

501 Lunkad Sky Vista, Viman Nagar, Pune 411 014, India.

T: +91 20 6649 2800 | e: info@messung.com | w: www.messung.com