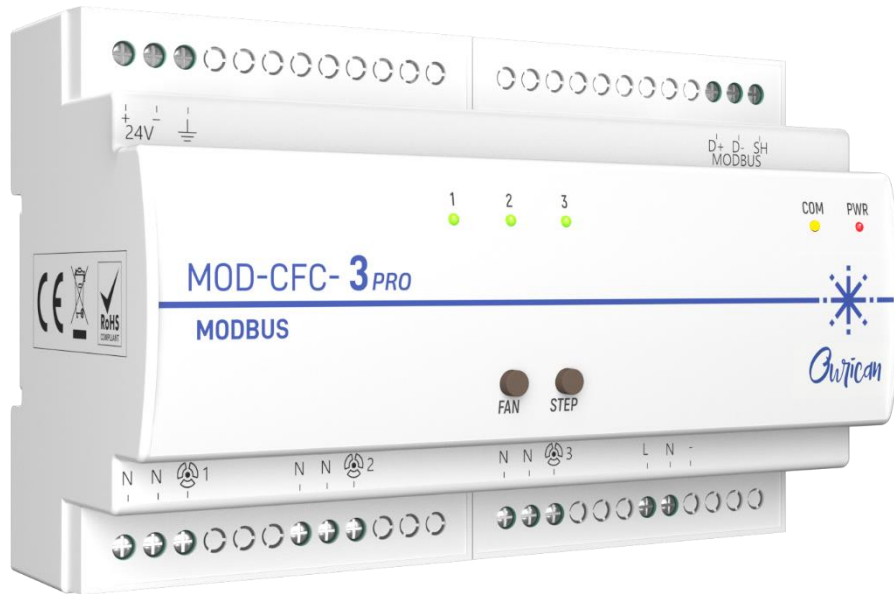


MOD-CFC-3 Pro



- 3 Channel Ceiling Fan Controller
 - Control up to 5 speeds for each channel
 - Manual output operation with push button
 - Total data saving on bus failure
 - DIN rail mount assembly
 - Dimension: 142.3 (L) X 90.5 (H) X 62 (D) mm [8 DIN Units]
 - DIP switch for Modbus RTU slave configuration
 - No configuration software needed
 - CE Mark
- **Manual Push Button:**
- 1. FAN: Select Fan Channel to be operate
 - 2. STEP: Change speed of fan from 0 to 5

General Product Specifications		
Type of Device		Electric operation control device
Main Supply	Voltage, Current (typical)	24VDC / 35mA
	Voltage Range	18-30 VDC
	Connection type	Terminal Block (Screw)
External Supply		230VAC,50Hz, + 10 % -20%
Communication Interface & Protocol		RS485 & Modbus RTU
No. of Channels		3
Speed control for each channel		Step 1 to 5 and OFF
Maximum recommended load per output		90W
IP Level		IP20
Protection		Fuse Protection for AC supply.
Isolation		No Isolation

Messung Systems Pvt. Ltd.

501 Lunkad Sky Vista, Viman Nagar, Pune 411 014, India.

T: +91 20 6649 2800 | e: info@messung.com | w: www.messung.com

Operating Temperature	0 - 70 °C
Storage Temperature	-25 to 75 °C
Ambient Humidity	5 to 95% RH (No Condensation)
Dimension	142.3 (L) X 90.5 (H) X 62 (D) mm [8 DIN Units]
Manual Test Facility	2 Push Buttons: 1 – Select Fan No. 2 – Select Fan Speed
Usage	Indoor, to be mounted inside distribution boxes or electrical panels with DIN rail
LED Indication	LED (RED) for DC power ON, Flickering Yellow LED to indicate communication, GREEN LED's (3 no's) indicating fan channel selection.

Output Specifications and Connections

Maximum Load per Channel (Recommended)	90W
Mains Input Voltage	230VAC (50 Hz) +10% -20%
Connection Type	Terminal Block (Screw)
Recommended Cable Section	0.5 mm ² to 4 mm ² (26-10AWG)
Cable Type	Stranded or Solid Wire
Output Relay rating	16A/250VAC
Rated current by output	16A*277 VAC (4,432 VA)

Modbus Communication Specifications

Protocol	Modbus RTU
Baud Rate	9600,19200,38400
Slave Address	1-15
Data Bit	8-bit
Stop Bit	1-bit
Parity	None
Response Time	<100ms
Termination Resistance	120 ohms
Control Registers	Holding Register 1 to 3(value 0-5) (status Holding Register 6-8)
Distance	Up to 1200m

CANopen Slave Configuration DIP Switch Steps:

1. Switch S1-8 for address, baud rate, Termination.

Adjust the DIP switch according to requirements. Refer below image.

SWITCH 1-8

NODE ID Configuration

Node ID	Switch1	Switch2	Switch3	Switch4
1	ON	OFF	OFF	OFF
2	OFF	ON	OFF	OFF
3	ON	ON	OFF	OFF
...
15	ON	ON	ON	ON

Baud Rate Configuration

Baud Rate	Switch5	Switch6		

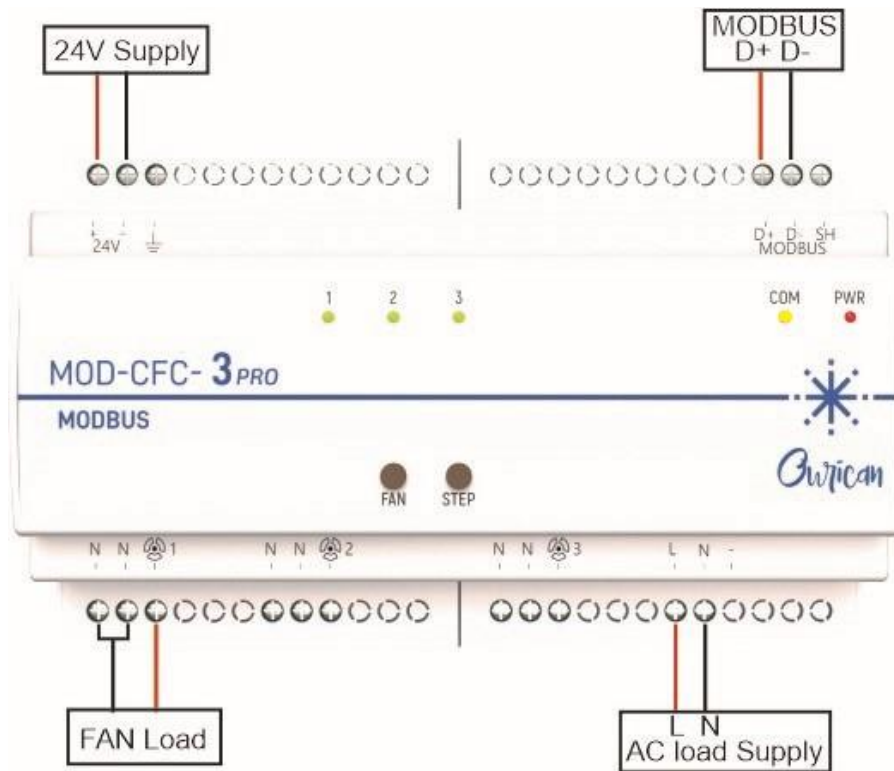
Messung Systems Pvt. Ltd.

501 Lunkad Sky Vista, Viman Nagar, Pune 411 014, India.

T: +91 20 6649 2800 | e: info@messung.com | w: www.messung.com

9600	OFF	OFF		
19200	ON	OFF		
38400	OFF	ON		
Termination				
	Switch7			
Termination OFF	OFF			
Termination ON	ON			
Not used	Switch8			

Wiring Diagram:



SAFETY INSTRUCTIONS

- Installation should only be performed by qualified professionals according to the laws and regulations.
- Do not connect the mains voltage nor any other external voltage to any point of the CAN connector; it would represent a risk for the entire system. The facility must have enough insulation between the mains (or auxiliary) voltage and the Modbus or the wires of other accessories, in case of being installed.
- Keep the device away from water and do not cover it with clothes, paper or any other material while in use.
- Not suitable for BLDC fan, Pedestal Fan, Exhaust Fan, Table Fan.



Messung Systems Pvt. Ltd.

501 Lunkad Sky Vista, Viman Nagar, Pune 411 014, India.

T: +91 20 6649 2800 | e: info@messung.com | w: www.messung.com